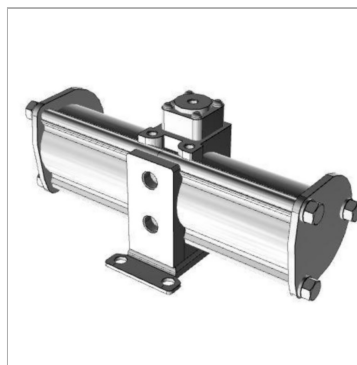


Характеристики

Рабочие среды	Сжатый воздух
мин. рабочее давление	0.2 MPa
Количество соединений пневматических манометров	2
макс. входное давление	0,1 to 1,0 MPa
Температура среды	+2 °C bis +50 °C
Температура окружающей среды	+2 °C bis +50 °C
Дополнительная информация	<p>erhöht den Druck nur dort, wo die Kraft aufgrund eines geringen Netzdrucks ungenügend ist (Maßnahme zum Energiesparen)</p> <p>keine Stromversorgung nötig</p> <p>verlängerte Lebensdauer: verdoppelt im Vergleich zum herkömmlichen Modell</p> <p>verbesserte Betriebssicherheit durch eingebauter Siebfilter am (IN-Anschluss)</p> <p>Drucklufteingang</p> <p>geringere Kondenswasserbildung: Entlüftungskanäle im Zylinderrohr integriert</p> <p>Verringertes Betriebsgeräusch: 13 dB (A)</p> <p>Anschluss Manometer pneumatisch Rc 1/8</p>



Информация о продукте

Соединение пневматическое	G 1/2
Типоразмер	1/2
Макс. рабочее давление	1 MPa
Расход пот.	1900 l/min

Расход пот.	1900 l/min
Коэффициент усиления давления	1:2
Механизм регулировки давления	manually operated
Испытательное давление	1.5 MPa

Описание

Booster regulator, series VBA, increases pressure only where the force is inadequate because of a low network pressure (energy saving measure), no electricity supply necessary, longer service life: doubled compared to conventional model, lower operating noise level: 13 dB (A), improved operational reliability from inbuilt mesh filter on (IN connection) compressed air inlet, reduced condensation levels: air exhaust channels integrated directly into the cylinder tube, suitable for: compressed air, size 1/4, with pressure gauge and silencer, elbow, pneumatic connection: G 1/4, pneumatic connection pressure gauge: G 1/8, pneumatic connections pressure gauge: 2, flow rate 230 l/min, pressure boost 1:2, manually actuated pressure adjustment mechanism, test pressure: 3 MPa, max. operating pressure: 2 MPa, min. operating pressure: 0.2 MPa, media temperature: +2 to +50 °C, ambient temperature: +2 to +50 °C

Дополнительная информация

increases the pressure only where the force is insufficient due to low factory pressure (measure to save energy)no power supply requiredextended life: doubled compared to the conventional modelimproved reliability through built-in strainer on (IN terminal) Compressed air inletreduced condensation: Venting channels directly integrated in the cylinder tubeReduced noise: 13 dB (A)Port for pneumatic pressure gauge Rc 1/8