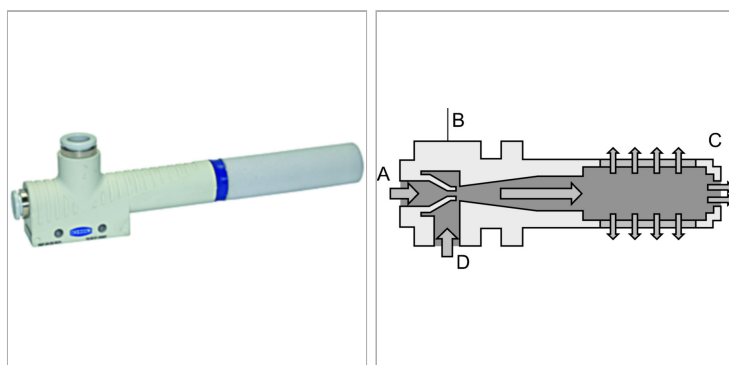


Характеристики

Свойства	<p>Vacuum generator without control valves or system monitoring functions, with a high maximum vacuum value (85%)</p> <p>No moving parts, which means no wear and no maintenance</p> <p>Maximum suction capacity with minimum compressed air consumption</p> <p>Minimum size, low weight</p> <p>For decentralised vacuum generation in highly dynamic processes</p>
-----------------	---

Применение	<p>For universal use in lightweight gripper systems</p> <p>to handle air-tight workpieces as well as for automatic separation systems, e.g. in the plastics, electronics and packaging industries.</p> <p>Also ideal for the construction of ejector blocks for decentralised control of suction pads.</p>
-------------------	--

Корпус	Plastic (impact-resistant)
Соединение	Push-in coupling
Глушитель	Plastic
Степень разрежения	85 %
Рабочее давление	4.5 bar



Информация о продукте

Размер форсунки	2	Расход воздуха при всасывании	105 l/min
Подключение системы сжатого воздуха	6 mm	макс. скорость откачки	71 l/min
Вакуумное соединение	8 mm	Размер	97 mm x 15 mm x 40 mm

Указания

Прочие данные только по запросу.

Описание

Purely pneumatic vacuum ejector that operates on the Venturi principle. Compressed air enters the ejector at A and flows through the nozzle B. This results in a vacuum immediately behind the nozzle outlet, and air is drawn in through the vacuum inlet D. This air and the driving air leave the ejector via the silencer C.