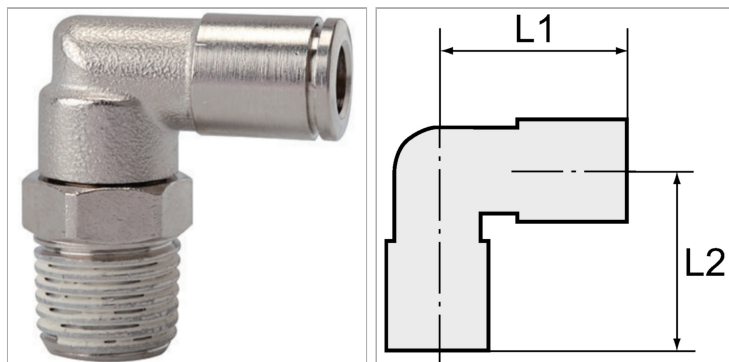


Male elbows, swivel type, conical male thread, coated

Обновлено: 04.30.24

Характеристики

| | |
|----------------------------|-----------------------|
| Рабочая температура | -20 °C to +150 °C |
| Рабочее давление | Max. 16 bar |
| Материал | Никелированная латунь |
| Зажимное кольцо | Stainless steel |
| Прижимное кольцо | Nickel-plated brass |



Информация о продукте

| | |
|-------------------------------|---------|
| Резьба | R 1/2 |
| для наружного Ø шланга | 12 mm |
| L2 | 35.5 mm |

| | |
|-----------|---------|
| L2 | 35.5 mm |
| L1 | 29 mm |
| SW | 22 mm |

Указания

Прочие данные только по запросу.

Описание

Push-in fittings, manufactured entirely in nickel-plated brass. All parts with a parallel thread are supplied with an FPM O-ring.

All parts with conical threads are coated with preCOTE 5 dispersion, all fittings in this series can thus also be used at high temperatures (medium compressed air).