

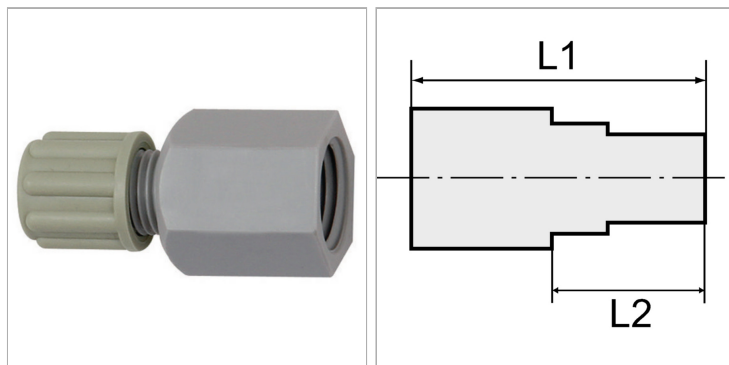
### Характеристики

**Рабочее давление** Dependent on operating temperature; Max. 10 bar (at 20 °C); Max. 1 bar (at 60 °C)

**Резьбовые детали** Polyamide (PA)

**Гайка** Polypropylene (PP)

**Зажимное кольцо** Polypropylene (PP)



### Информация о продукте

|               |       |
|---------------|-------|
| <b>Резьба</b> | G 1/8 |
| <b>L2</b>     | 17 mm |
| <b>L1</b>     | 31 mm |

|                   |             |
|-------------------|-------------|
| <b>L1</b>         | 31 mm       |
| <b>Для шланга</b> | 4 mm / 6 mm |
| <b>SW</b>         | 14 mm       |

### Указания

Прочие данные только по запросу.

### Описание

Manufactured from high impact-resistant, UV-stabilised engineering plastic, extremely resistant to weathering. Good chemical resistance to benzene, diesel oil, fuel oil and alkalis.

Not suitable for use with acids.