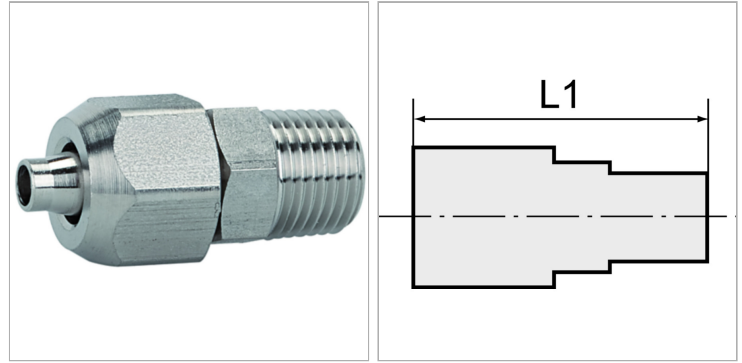


## Male connectors, conical male thread acc. to ISO 7-1, stainless steel

Обновлено: 05.02.24

### Характеристики

<b>Область температур</b>	-40 °C to +200 °C (depending on the hose quality and diameter)
<b>Диапазон давлений</b>	Max. 25 bar
<b>рекомендуемые шланги</b>	PTFE hose
<b>Материал</b>	нержавеющая сталь 1.4404
<b>Уплотнение</b>	Pure metal



### Информация о продукте

<b>Резьба</b>	R 3/8
<b>SW1</b>	16 mm
<b>L1</b>	33 mm

<b>L1</b>	33 mm
<b>SW2</b>	17 mm
<b>Для шланга</b>	10 mm / 8 mm

### Указания

Прочие данные только по запросу.

### Описание

Supplied without seals. For use with corrosive media and at high temperatures. Screw fitting series made of stainless steel for all applications where compliance with strict tightness, pressure and temperature requirements is essential. The parts are manufactured without rubber seals, in other words they are ideal for very high temperatures or for use with corrosive liquids, e.g. in cases when FPM is no longer suitable.