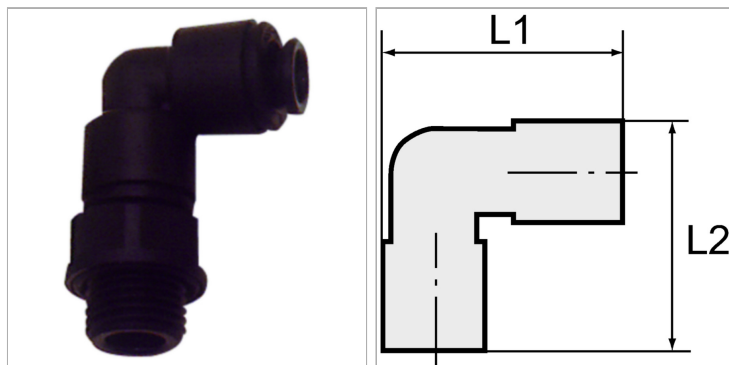


Male elbows, swivel type, parallel male thread with O-ring (M5 - non-swivel type, w/o O-ring)

Характеристики

| | |
|----------------------------|---|
| Рабочая температура | -20 °C to +70 °C in air; +1 °C to +70 °C in water |
| Материал | Acetalpolymerisat (POM) |
| Уплотнение | Нитрильный каучук |
| Рабочее давление | 0 - 16 bar (4 - 8 mm); 0 - 10 bar (10 - 28 mm) |



Информация о продукте

| | |
|-------------------------------|-------|
| Резьба | G 1/8 |
| для наружного Ø шланга | 8 mm |
| SW | 17 mm |

| | |
|-----------|---------|
| SW | 17 mm |
| L2 | 31.1 mm |
| L1 | 45.6 mm |

Указания

Прочие данные только по запросу.

Описание

Lightweight, push-in fittings distinguished by high strength, toughness, resistance to abrasion and impact resistance - ideal for a wide range of applications. Plastic and metal tubes are connected together quickly and easily. Suitable for compressed air or liquids, with good resistance to a large number of chemicals.