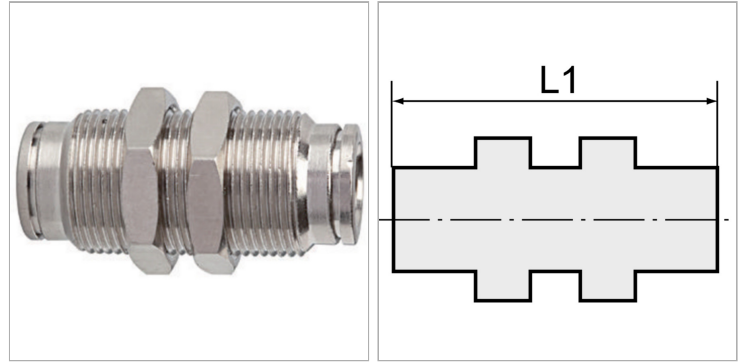


### Характеристики

|                            |                       |
|----------------------------|-----------------------|
| <b>Рабочая температура</b> | -20 °C to +150 °C     |
| <b>Рабочее давление</b>    | Max. 16 bar           |
| <b>Материал</b>            | Никелированная латунь |
| <b>Зажимное кольцо</b>     | Stainless steel       |
| <b>Прижимное кольцо</b>    | Nickel-plated brass   |



### Информация о продукте

|                               |          |
|-------------------------------|----------|
| <b>Резьба</b>                 | M 10 x 1 |
| <b>для наружного Ø шланга</b> | 4 mm     |

|           |         |
|-----------|---------|
| <b>L1</b> | 31.5 mm |
| <b>SW</b> | 13 mm   |

### Указания

Прочие данные только по запросу.

### Описание

Push-in fittings, manufactured entirely in nickel-plated brass. All parts with a parallel thread are supplied with an FPM O-ring.

All parts with conical threads are coated with preCOTE 5 dispersion, all fittings in this series can thus also be used at high temperatures (medium compressed air).