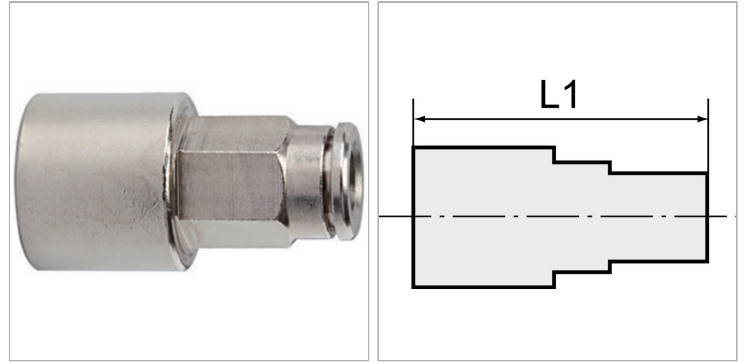


## Male connectors, parallel female thread with outer hex

Обновлено: 05.04.24

### Характеристики

|                     |                       |
|---------------------|-----------------------|
| Рабочая температура | -20 °C to +150 °C     |
| Рабочее давление    | Max. 16 bar           |
| Материал            | Никелированная латунь |
| Зажимное кольцо     | Stainless steel       |
| Прижимное кольцо    | Nickel-plated brass   |



### Информация о продукте

|                        |       |
|------------------------|-------|
| Резьба                 | G 1/4 |
| для наружного Ø шланга | 8 mm  |

|           |       |
|-----------|-------|
| <b>L1</b> | 32 mm |
| <b>SW</b> | 13 mm |

### Указания

Прочие данные только по запросу.

### Описание

Push-in fittings, manufactured entirely in nickel-plated brass. All parts with a parallel thread are supplied with an FPM O-ring.

All parts with conical threads are coated with preCOTE 5 dispersion, all fittings in this series can thus also be used at high temperatures (medium compressed air).