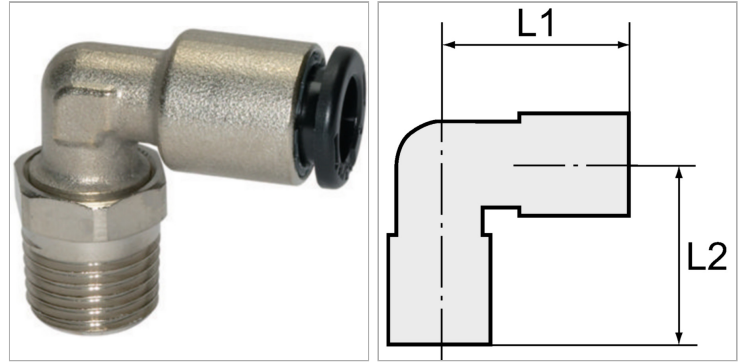


Характеристики

| | |
|----------------------------|-----------------------|
| Рабочая температура | -20 °C to +80 °C |
| Рабочее давление | Max. 16 bar |
| Материал | Никелированная латунь |
| Зажимное кольцо | Stainless steel |
| Прижимное кольцо | Hostaform |



Информация о продукте

| | |
|-------------------------------|---------|
| Резьба | R 1/4 |
| для наружного Ø шланга | 8 mm |
| L2 | 23.6 mm |

| | |
|-----------|---------|
| L2 | 23.6 mm |
| L1 | 25.4 mm |
| SW | 14 mm |

Указания

Прочие данные только по запросу.

Описание

The advanced version of our highly successful push-in fittings series manufactured in nickel-plated brass. Advantages of this new, optimised series: Much easier connection and disconnection of the hose, even with repeated mounting, can also be used for non-calibrated hoses, suitable for vacuum operation.