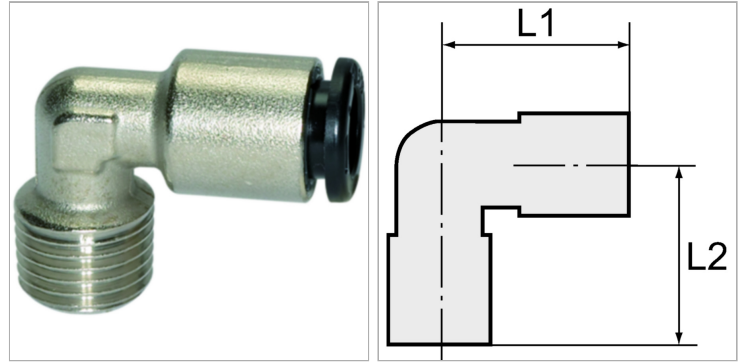


### Характеристики

|                            |                       |
|----------------------------|-----------------------|
| <b>Рабочая температура</b> | -20 °C to +80 °C      |
| <b>Рабочее давление</b>    | Max. 16 bar           |
| <b>Материал</b>            | Никелированная латунь |
| <b>Зажимное кольцо</b>     | Stainless steel       |
| <b>Прижимное кольцо</b>    | Hostaform             |



### Информация о продукте

|                               |         |
|-------------------------------|---------|
| <b>Резьба</b>                 | R 1/4   |
| <b>для наружного Ø шланга</b> | 8 mm    |
| <b>L2</b>                     | 18.5 mm |

|           |         |
|-----------|---------|
| <b>L2</b> | 18.5 mm |
| <b>L1</b> | 25.4 mm |
| <b>SW</b> | 10 mm   |

### Указания

Прочие данные только по запросу.

### Описание

The advanced version of our highly successful push-in fittings series manufactured in nickel-plated brass. Advantages of this new, optimised series: Much easier connection and disconnection of the hose, even with repeated mounting, can also be used for non-calibrated hoses, suitable for vacuum operation.