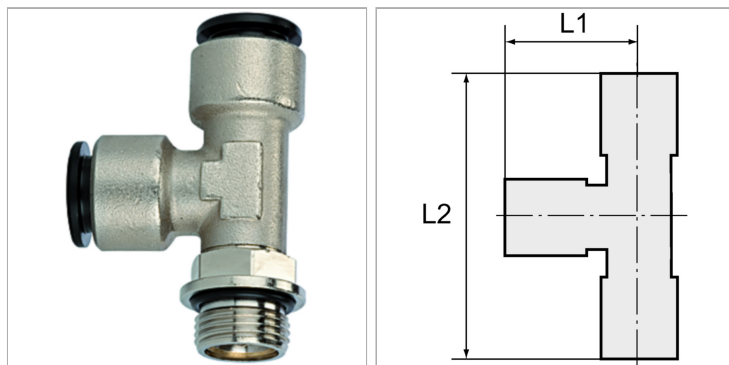


## Male branch tees, angled plug connections, swivel type, parallel male thread with O-ring

### Характеристики

Рабочая температура	-20 °C to +80 °C
Рабочее давление	Max. 16 bar
Материал	Никелированная латунь
Кольцо круглого сечения	NBR
Зажимное кольцо	Stainless steel
Прижимное кольцо	Hostaform



### Информация о продукте

Резьба	G 1/4
для наружного Ø шланга	6mm
L2	43 mm

L2	43 mm
L1	21.9 mm
SW	14 mm

### Указания

Прочие данные только по запросу.

### Описание

The advanced version of our highly successful push-in fittings series manufactured in nickel-plated brass. Advantages of this new, optimised series: Much easier connection and disconnection of the hose, even with repeated mounting, can also be used for non-calibrated hoses, suitable for vacuum operation.