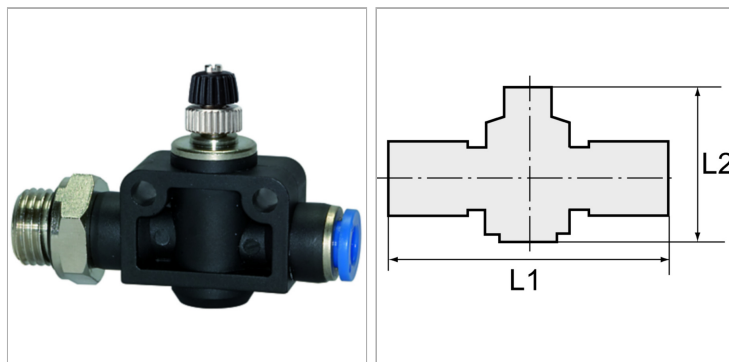


## Unidirectional flow control valves with parallel male thread and plug connection, straight type, air restriction from tube to port

### Характеристики

<b>Рабочее давление</b>	Max. 15 bar, coarse vacuum
<b>Область температур</b>	-20 °C to +80 °C
<b>Рабочие среды</b>	Compressed air and all gases or liquids that are compatible with the materials
<b>рекомендуемые шланги</b>	PU or PA (nylon)
<b>Область применения</b>	Air, vacuum
<b>Уплотнительная поверхность</b>	Parallel version: O-ring in housing, Conical version: thread coating
<b>Материал</b>	Plastic, Nickel plated brass
<b>Прижимное кольцо</b>	Plastic



### Информация о продукте

<b>Резьба</b>	G 1/2	<b>L2 мин.</b>	48.3 mm
<b>для наружного Ø шланга</b>	10 mm	<b>L2 макс.</b>	54.5 mm
<b>L1</b>	76 mm	<b>SW</b>	19 mm

### Указания

Прочие данные только по запросу.

### Описание

Push-in fittings series manufactured in plastic and nickel-plated brass. All parts are suitable for use with hoses, tubes or pipes made of plastic and copper.