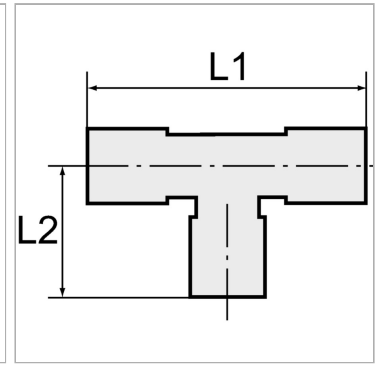
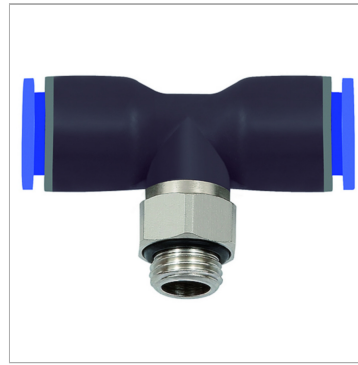


Male branch tees, swivel type, parallel male thread with O-ring

Обновлено: 04.28.24

Характеристики

| | |
|-----------------------------------|--|
| Рабочее давление | Max. 15 bar, coarse vacuum |
| Область температур | -20 °C to +80 °C |
| Рабочие среды | Compressed air and all gases or liquids that are compatible with the materials |
| рекомендуемые шланги | PU or PA (nylon) |
| Область применения | Air, vacuum |
| Уплотнительная поверхность | Parallel version: O-ring in housing |
| Материал | Plastic, Nickel plated brass |
| Прижимное кольцо | Plastic |



Информация о продукте

| | |
|-------------------------------|---------|
| Резьба | G 1/8 |
| для наружного Ø шланга | 8 mm |
| L2 | 25.7 mm |

| | |
|-----------|---------|
| L2 | 25.7 mm |
| L1 | 45.4 mm |
| SW | 14 mm |

Указания

Прочие данные только по запросу.

Описание

Push-in fittings series manufactured in plastic and nickel-plated brass. All parts are suitable for use with hoses, tubes or pipes made of plastic and copper.