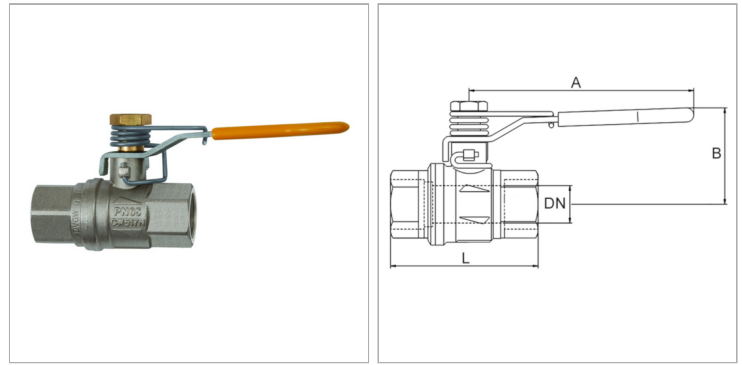


### Характеристики

<b>Рабочая температура</b>	-20 °C to +170 °C
<b>Резьба, описание</b>	Rp thread acc. to ISO 7-1
<b>Шар</b>	hardchrome-plated brass
<b>Корпус</b>	Nickel-plated brass
<b>Пружина</b>	Stainless steel 1.4301
<b>Уплотнение шара</b>	PTFE
<b>Уплотнение шпинделя</b>	FKM
<b>Рукоятка</b>	Steel - PVC coated



### Информация о продукте

<b>DN</b>	40
<b>Резьба</b>	Rp 1 1/2
<b>PN (бар)</b>	40

<b>B</b>	81 mm
<b>A</b>	158 mm
<b>L</b>	120 mm

DN = номинальный диаметр, номинальный внутренний диаметр

### Указания

Прочие данные только по запросу.

### Описание

2/2-way safety ball valves, two parts, made of nickel-plated brass with spring return. Applications: Compressed air, water, oils, fuel oil, fuels, inert gases. Silicone-free. The ball valve is closed in the normal position and opens against spring force.

### Указание по заказу

For use on devices that have to be vented whenever they are turned off, either because of safety regulations or for technical reasons. The pneumatic devices are disconnected from the system and simultaneously vented each time they are shut off.