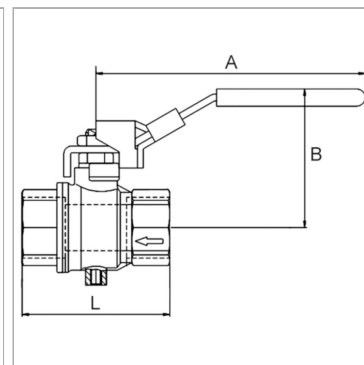


### Характеристики

<b>Рабочая температура</b>	-10 °C to + 100 °C (depending on operating pressure)
<b>Вентиляционное отверстие</b>	M 5 (>1": Relief port G 1/4")
<b>Резьба, описание</b>	Rp thread acc. to EN 10226
<b>Шар</b>	hardchrome-plated brass
<b>Корпус</b>	Nickel-plated brass
<b>Уплотнение шара</b>	PTFE
<b>Уплотнение шпинделя</b>	PTFE (политетрафторэтилен)
<b>Рукоятка</b>	Steel - PVC coated
<b>Дополнительная информация</b>	Vorhängeschloss nicht im Preis inbegriffen. Bitte separat bestellen.



### Информация о продукте

<b>DN</b>	32
<b>Резьба</b>	Rp 1 1/4
<b>PN (бар)</b>	14

<b>B</b>	80 mm
<b>A</b>	157 mm
<b>L</b>	93 mm

DN = номинальный диаметр, номинальный внутренний диаметр

### Указания

Прочие данные только по запросу. G thread acc. to DIN EN ISO 228-1, with ISO flange plate (acc. to ISO 5211)

### Описание

2/2-way safety ball valves, two parts, made of nickel-plated brass. Specially designed for pneumatic applications.

The valve shuts off the supply line and bleeds the application area. Lockable hand lever in closed position.

### Указание по заказу

For use on devices that have to be vented whenever they are turned off, either because of safety regulations or for technical reasons. The pneumatic devices are disconnected from the system and simultaneously vented each time they are shut off.

### Дополнительная информация

The price does not include a padlock. Please order separately.