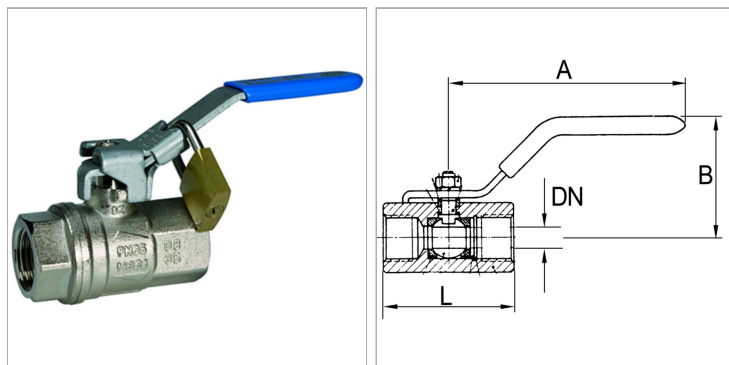


### Характеристики

<b>Температура</b>	-40 ° C up to max. +170 ° C; Warning: The freezing fluid in the system may damage the valve difficult
<b>Резьба, описание</b>	Rp thread acc. to EN 10226
<b>Корпус</b>	Nickel-plated brass
<b>Уплотнение шара</b>	PTFE
<b>Уплотнение шпинделя</b>	PTFE (политетрафторэтилен)
<b>Рукоятка</b>	Steel - PVC coated
<b>Дополнительная информация</b>	Vorhängeschloss nicht im Preis inbegriffen. Bitte separat bestellen.



### Информация о продукте

<b>DN</b>	8
<b>Резьба</b>	Rp 1/4
<b>PN (бар)</b>	65

<b>B</b>	39.5 mm
<b>A</b>	82 mm
<b>L</b>	51 mm

DN = номинальный диаметр, номинальный внутренний диаметр

### Указания

Прочие данные только по запросу. G thread acc. to DIN EN ISO 228-1, with ISO flange plate (acc. to ISO 5211)

### Описание

2/2-way safety ball valves made of nickel-plated brass. Specially designed for pneumatic applications. The ball valve can be locked manually. Full bore, heavy-duty type.

### Указание по заказу

For use on devices that have to be vented whenever they are turned off, either because of safety regulations or for technical reasons. The pneumatic devices are disconnected from the system and simultaneously vented each time they are shut off.

### Дополнительная информация

The price does not include a padlock. Please order separately.