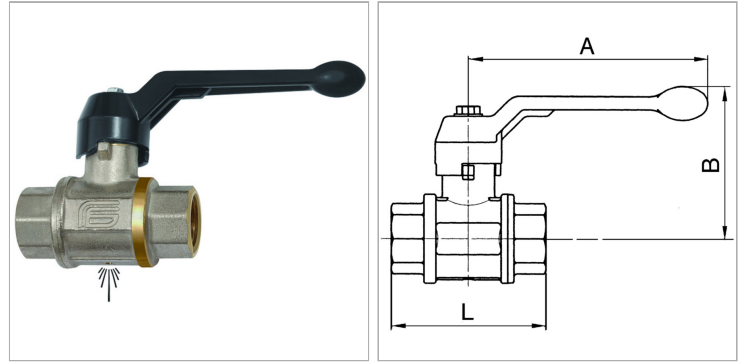


### Характеристики

<b>Рабочая температура</b>	0 °C to +60 °C
<b>Уплотнение</b>	PTFE
<b>Резьба, описание</b>	Rp thread acc. to ISO 7-1
<b>Корпус, шар, шпindel, сальник</b>	Nickel-plated brass
<b>Рукоятка</b>	Die-cast aluminium, black
<b>Материал</b>	sealing: PTFE



### Информация о продукте

<b>DN</b>	50
<b>Резьба</b>	Rp 2
<b>макс. рабочее давление при 20°C</b>	12 bar

<b>B</b>	119 mm
<b>A</b>	175 mm
<b>L</b>	134 mm

DN = номинальный диаметр, номинальный внутренний диаметр

### Указания

Прочие данные только по запросу.

### Описание

2/2-way brass safety ball valves. Specially designed for pneumatic applications. The ball valve shuts off the supply side and relieves the application into the atmosphere.

### Указание по заказу

For use on devices that have to be vented whenever they are turned off, either because of safety regulations or for technical reasons. The pneumatic devices are disconnected from the system and simultaneously vented each time they are shut off.