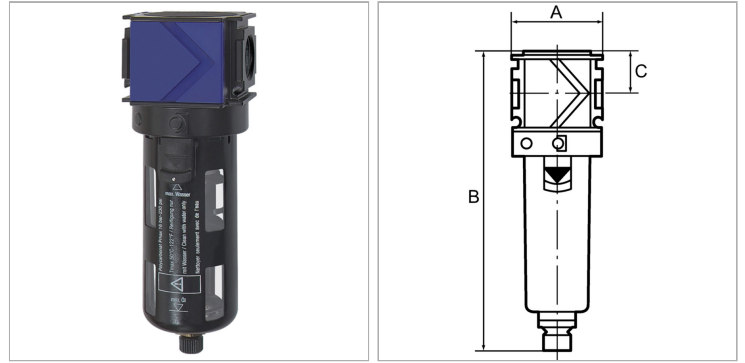


### Характеристики

<b>Уплотнение</b>	Нитрильный каучук
-------------------	-------------------



### Информация о продукте

<b>Расход ном.</b>	2000 l/min
--------------------	------------

<b>Расход ном.</b>	2000 l/min
--------------------	------------

### Указания

Прочие данные только по запросу.

### Описание

Centrifugal separators with a sintered filter element. Filtration takes place in a 2-stage process comprising cyclone separation (condensate) and a PE filter element (particles).

Approved series in modern industrial design, with the following key benefits: Simple handling, Convenient modular assembly thanks to innovative fasteners, Excellent flow values.

### Указание по заказу

Filters are also available with bowl guard or metal bowl.