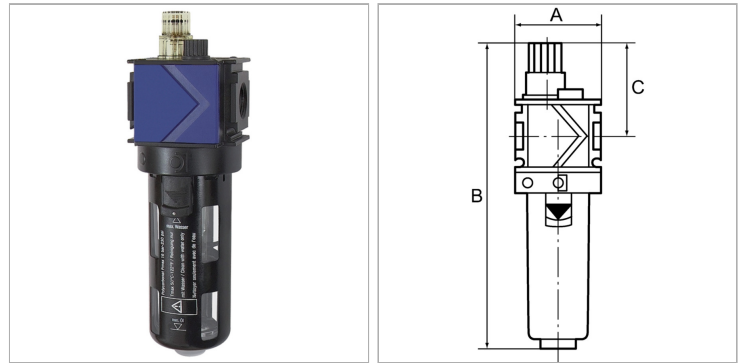


## Oil-mist lubricators with polycarbonate bowl and bowl guard

### Характеристики

Уплотнение	Нитрильный каучук
------------	-------------------



### Информация о продукте

Расход ном.	7500 l/min
-------------	------------

Расход ном.	7500 l/min
-------------	------------

### Указания

Прочие данные только по запросу.

### Описание

Proportional lubricators, oil can be filled under pressure. Approved series in modern industrial design, with the following key benefits: Simple handling, Convenient modular assembly thanks to innovative fasteners, Excellent flow values.

### Указание по заказу

Oil-mist lubricators are also available with bowl guard or metal bowl.