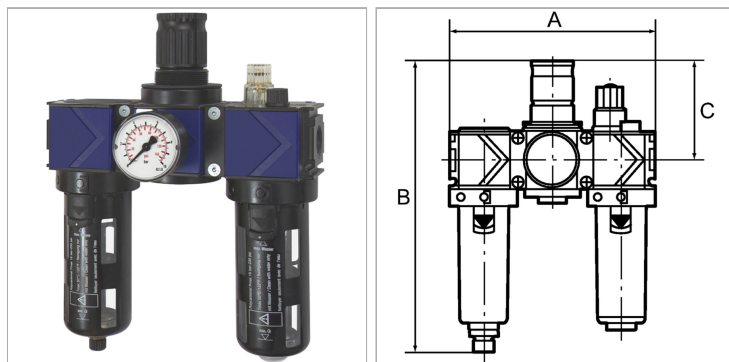


## Service units, 3-piece with polycarbonate bowl and bowl guard

Обновлено: 05.07.24

### Характеристики

Уплотнение	Нитрильный каучук
------------	-------------------



### Информация о продукте

Расход ном.	1800 l/min
-------------	------------

Расход ном.	1800 l/min
-------------	------------

### Указания

Прочие данные только по запросу.

### Описание

Two or three-piece service units consisting of a reversible diaphragm pressure regulator, independent of inlet pressure, with self-relieving design, combined with a centrifugal separator and a proportional lubricator. Approved series in modern industrial design, with the following key benefits: Simple handling, Convenient modular assembly thanks to innovative fasteners, Excellent flow values.

### Указание по заказу

Service units are also available with bowl guard or metal bowl. Service units are also available in other control ranges (0.5 - 6 bar and 0.5 - 16 bar) and in lockable version. Please ask for more information.

### Дополнительная информация

Service units are also available with bowl guard or metal bowl. Service units are also available in other control ranges.