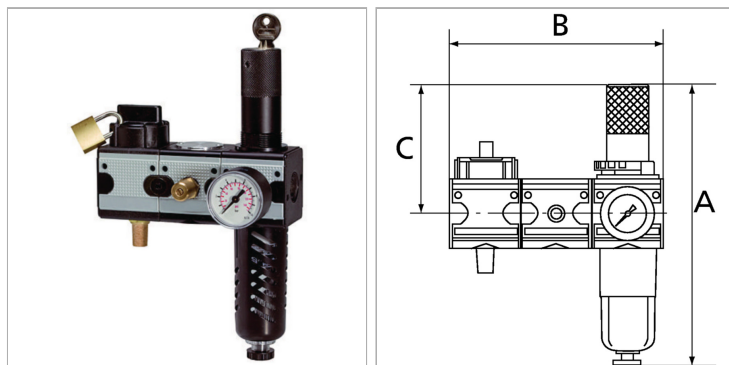


## SAFETY service unit sets, comprising a ball valve with silencer, start-up valve and filter regulator with lock cylinder

### Характеристики

<b>Входное давление</b>	2 - 16 bar
<b>Выходное давление</b>	0.5 - 10 bar
<b>Область температур</b>	Max. 60 °C
<b>Рабочие среды</b>	Сжатый воздух
<b>Уплотнение</b>	Нитрильный каучук
<b>Фильтрующий элемент</b>	Cellpor (PE) 5 µm
<b>Корпус</b>	Die-cast zinc
<b>Мембрана</b>	NBR
<b>Емкость</b>	Polycarbonate (with bayonet lock) and bowl guard
<b>Пружинная крышка</b>	POM
<b>Drain valve</b>	Semi-automatic
<b>Измерение расхода воздуха</b>	At P1 = 8 bar, P2 = 6 bar and pressure drop $\Delta p = 1$ bar
<b>Дополнительная информация</b>	siehe Datenblätter der einzelnen Komponenten (auf Anfrage)
<b>Соединение вентиляции</b>	Silencer
<b>Шаровой кран</b>	



### Информация о продукте

<b>Резьба</b>	G 1/2	<b>A</b>	269.3 mm
<b>Расход пот.</b>	4000 l/min	<b>B</b>	200,8 mm
<b>C</b>	122 mm	<b>Отвод конденсата</b>	Semi-automatic

### Описание

These compressed air service unit sets, comprising a ball valve with silencer, a start-up valve and one out of a pressure regulator, filter regulator or service unit, meet even the strictest requirements for operating reliability and accident prevention!

### Указание по заказу

The price does not include a padlock. Please order separately. For accessories and spare parts, refer to individual components: ball valve, start-up valve, pressure regulator, filter regulator, 2-piece service unit.

### Дополнительная информация

see data sheets of the individual components (on request)