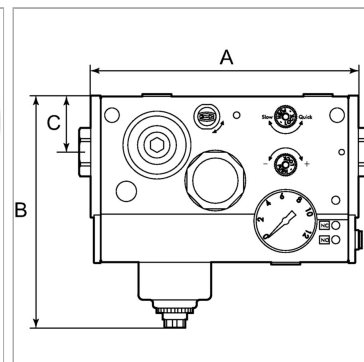


### Характеристики

<b>Входное давление</b>	Max. 10 bar
<b>Область температур</b>	-10 °C to +50 °C
<b>Рабочие среды</b>	Сжатый воздух
<b>Степень защиты</b>	IP 65
<b>Рабочее давление</b>	0.5 - 8 bar
<b>Размер пор в фильтрующем элементе</b>	20 µm
<b>Измерение расхода воздуха</b>	At 6,3 bar and Δp = 1 bar
<b>Дополнительная информация</b>	Druckschalter Wechsler



### Информация о продукте

<b>Соединение</b>	G 1/4"
<b>Расход пот.</b>	2400 l/min
<b>C</b>	35 mm

<b>A</b>	165.5 mm
<b>B</b>	144,0 mm
<b>Напряжение</b>	24 V DC (for valves and pressure switch)

### Указания

Прочие данные только по запросу.

### Описание

Multifunctional service unit with 6 or 7 functions in a single device: 3/2-way valve (manually operated), filter with automatic drain valve, air ports, pressure regulator, pressure gauge, soft start valve and optional: pressure switch. This combination of extremely good flow rates and a wide range of functions integrated in a single, compact unit saves valuable space and is unmatched by any similar product available in the market! Soft starting independently of the load and easy replacement of the filter cartridge under pressure are just two of the other outstanding features of this amazing device.

### Указание по заказу

This unit can also be supplied with many other combinations of functions and port sizes. We will be pleased to make you an offer to match your individual specification on request!

### Дополнительная информация

Pressure switches changeover contact