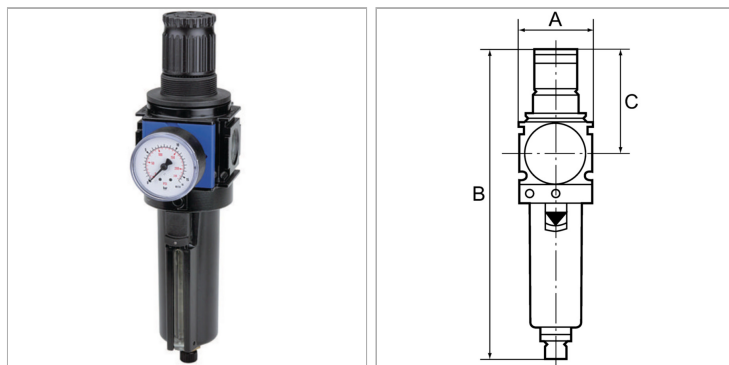


## Filter regulators with metal bowl, incl. sight glass and pressure gauge

### Характеристики

<b>Входное давление</b>	Max. 16 bar (polycarbonate bowl), Max. 20 bar (metal bowl)
<b>Температура среды</b>	max. 50 °C
<b>Температура окружающей среды</b>	Max. 50 °C (polycarbonate bowl), Max. 80 °C (metal bowl)
<b>Уплотнение</b>	Нитрильный каучук
<b>Размер пор в фильтрующем элементе</b>	40 µm
<b>Мембрана</b>	NBR
<b>Корпус</b>	Die-cast zinc
<b>Пружинная крышка</b>	POM
<b>Drain valve</b>	Manual
<b>Измерение расхода воздуха</b>	At P1 = 10 bar, P2 = 6 bar and pressure drop $\Delta p = 1$ bar
<b>Дополнительная информация</b>	Filterregler sind auch mit Schutzkorb oder Metallbehälter lieferbar. Filterregler sind auch in abschließbarer Ausführung lieferbar. Bitte anfragen.



### Информация о продукте

<b>Резьба</b>	G 3/4
<b>Диапазон регулирования</b>	0.5 - 10 bar
<b>Расход пот.</b>	6500 l/min

<b>C</b>	98 mm
<b>A</b>	70 mm
<b>B</b>	273,0 mm

### Указания

Прочие данные только по запросу.

### Описание

Reversible diaphragm pressure regulators, independent of inlet pressure, with self-relieving design, combined with a centrifugal separator. The pressure setting can be locked by pushing the knob down. Approved series in modern industrial design, with the following key benefits: Simple handling, Convenient modular assembly thanks to innovative fasteners, Excellent flow values.

### Указание по заказу

Filter regulators are also available with bowl guard or metal bowl. Filter regulators are also available in lockable version. Please ask for more information.

### Дополнительная информация

Filter regulators are also available with bowl guard or metal bowl. Filter regulators are also available in lockable version. Please ask for more information.