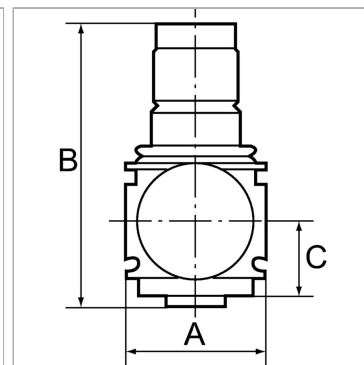


## Pressure regulators with pressure supply at both ends

### Характеристики

<b>Входное давление</b>	Max. 25 bar
<b>Температура окружающей среды</b>	max. 50 °C
<b>Температура среды</b>	max. 50 °C
<b>Уплотнение</b>	Нитрильный каучук
<b>Корпус</b>	Die-cast zinc
<b>Пружинная крышка</b>	POM-brass
<b>Измерение расхода воздуха</b>	At P1 = 10 bar, P2 = 6 bar and pressure drop $\Delta p = 1$ bar



### Информация о продукте

<b>Резьба</b>	G 1/4
<b>Диапазон регулирования</b>	0.5 - 10 bar
<b>Расход пот.</b>	1800 l/min

<b>C</b>	26 mm
<b>A</b>	48 mm
<b>B</b>	98,0 mm

### Указания

Прочие данные только по запросу.

### Описание

Diaphragm pressure regulators with self-relieving design for mounting side by side. The pressure setting can be locked by pushing the knob down. By assembling two or more controllers together, it is possible to supply several working air circuits with different output pressures via a single supply line.

### Указание по заказу

Pressure regulators are also available in lockable version. Please ask for more information.