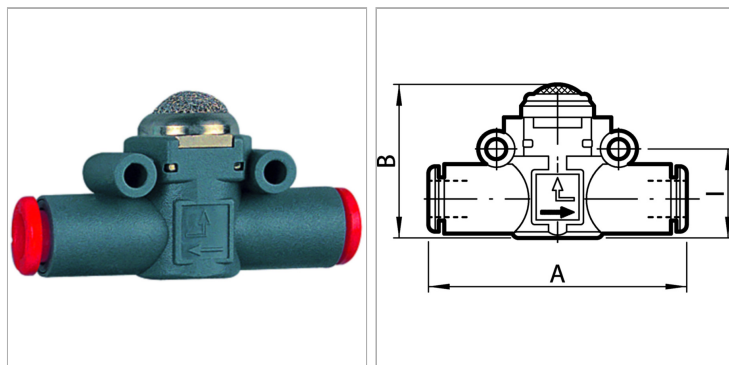


### Характеристики

<b>Рабочее давление</b>	1 - 10 bar
<b>Расход 6,3 бар</b>	50 NI/min (Ø 4), 270 NI/min (Ø 6), 400 NI/min (Ø 8)
<b>Расход Удаление воздуха 6,3 бар</b>	100 NI/min (Ø 4), 700 NI/min (Ø 6), 1000 NI/min (Ø 8)
<b>Область температур</b>	-20 °C to +60 °C
<b>Корпус</b>	Technopolymer
<b>Внутренние детали</b>	nickel-plated brass, brass, technopolymer, stainless steel
<b>Уплотнение</b>	Нитрильный каучук
<b>Монтаж</b>	Wall mounting (housing with drilled holes) Bracket mounting (mounting bracket available) Panel mounting (with bracket or lock nut)
<b>Дополнительная информация</b>	Symbol auf dem Gehäuse



### Информация о продукте

<b>для шланга Ø</b>	8 mm	<b>I</b>	18.7 mm
<b>B</b>	31.5 mm	<b>A</b>	57.2 mm

### Указания

Прочие данные только по запросу.

### Описание

A carefully selected assortment of products for installation in pneumatic circuits. These small, highly efficient components allow all pneumatic functions to be implemented anywhere in the circuit. The series has an ultramodular design.

All components can be installed In parallel, In series, In a mixed parallel / serial configuration. Available as Pipe / pipe connection with two plug connectors Thread / pipe connection, with one plug connector and one nickel-plated brass thread.

### Дополнительная информация

Symbol on the housing