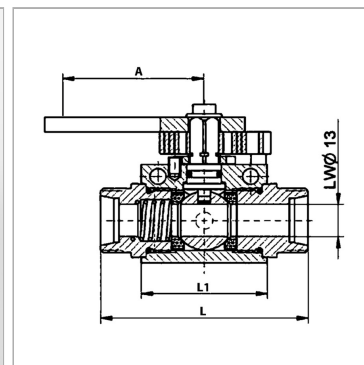


Характеристики

| | |
|-------------------------------|---|
| Соединение 1 + 2 | Метрическая наружная резьба, цилиндрическая |
| Форма уплотнения 1 + 2 | Внутренний конус 24° |
| Температура min. | -20 °C |
| Температура макс. | 60 °C |
| Защита поверхности | Цинкование |
| Материал | Корпус, шар и переключающий вал из стали Кольцо круглого сечения из нитрильного каучука Шаровое уплотнение из полиамида |



Информация о продукте

| | |
|------------------------------|-------|
| LW | 10 mm |
| DN* | 12 |
| Для наружного Ø трубы | 12 mm |
| L1 | 51 mm |
| A | 75 mm |
| L | 84 mm |

| | |
|-----------|----------|
| L | 84 mm |
| B | 35 mm |
| H | 59.2 mm |
| H1 | 40 mm |
| H2 | 17.25 mm |
| SW | 9 mm |

DN = номинальный диаметр, номинальный внутренний диаметр

Серия: LL = очень легкая; L = легкая; S = тяжелая

LW = ширина очистки

SW = размер под ключ

SF = коэффициент безопасности

Указания

Please refer to the operating instructions for ball valves. Note the permissible pressure limits for the connecting elements. Different temperature options on request. Version "A" spring adapter at pin. Version "B" spring adapter opposite the pin.

Описание

The working stroke of a hydraulic cylinder can be determined by mounting a stroke limiter in the system. In the starting position, the HBKH is open. The cable attached to the cylinder rod and to the valve handle operates the handle when stretched. The resulting movement turns the T-ball with the stem into the closed position, thus interrupting the flow. The cylinder rod stays in the original position. After closing the idle running at the separate control valve, the upstream side of the HBKH is depressurised. The pressure is transferred downstream operating the free moving ball, and pass through its T-port design. The cylinder then retracts and the spiral spring relaxes, returning the ball and stem to the original position.